

6GHH GLOBAL HIGH PERFORMANCE HIGH HEAD



Global Pump® High Performance High Head pumps are specifically designed to effectively handle a wide range of liquids in applications such as liquid transfer, wash down, fire protection, fracking and jetting where high heads and pressure are required.

Global Pump High Performance High Head pumps provide a dependable, highly efficient solution. The model 6GHH is capable of achieving maximum flows of 1,440 gpm (327 m³/h) and maximum total head of 748' (228 m), with solids handling up to 0.875" (22.2 mm) in diameter.

The standard 6GHH is powered by a water-cooled, 6-cylinder diesel engine. Alternative drives are available, including other diesel engines or electric motor options.

Features the Global Pump Auto Prime automatic priming system.

FEATURES

Global Pump's rugged, heavy duty pumps are engineered specifically for portable application.

Available with a variety of priming systems, including the Global Pump Auto Prime automatic priming system (compressor-fed venturi priming) or a diaphragm priming system.

Dry running mechanical seal.

Pump casings hydrostatically tested to 50 psig (345 kPa) above the peak casing design pressure.

Standard engine control panel provides preset emergency shutdown protection and allows the addition of automatic level control.

OPTIONS

Fuel tanks for extended run times and/or remote location as required.

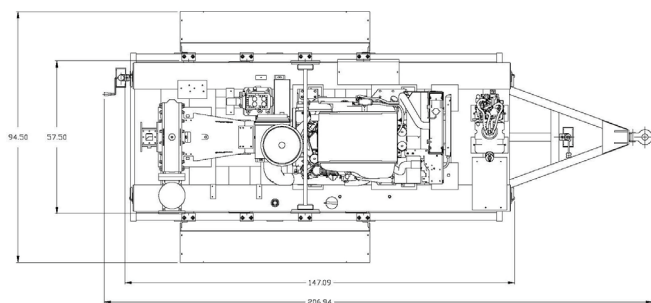
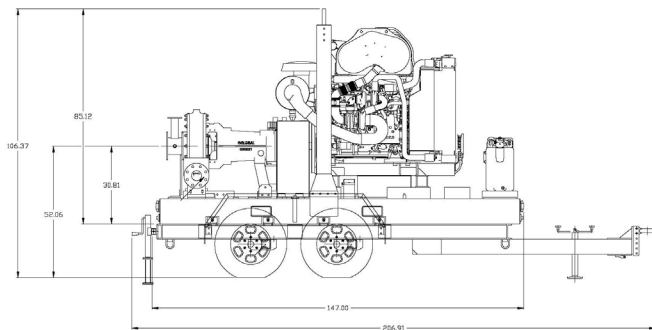
Skid mounted or highway trailer with integral fuel cell/chassis, lights, fenders, tie downs, lifting bail, front and rear jacks.

Optional CD4MCu stainless steel for abrasion and corrosion resistance.

Global Pump SoundGuard sound attenuated enclosure options.

Hose racks, accessory containers and other custom features available as required.

Wide range of suction and discharge fittings including Global Pump's own "QD" Quick Disconnect fittings and accessories.

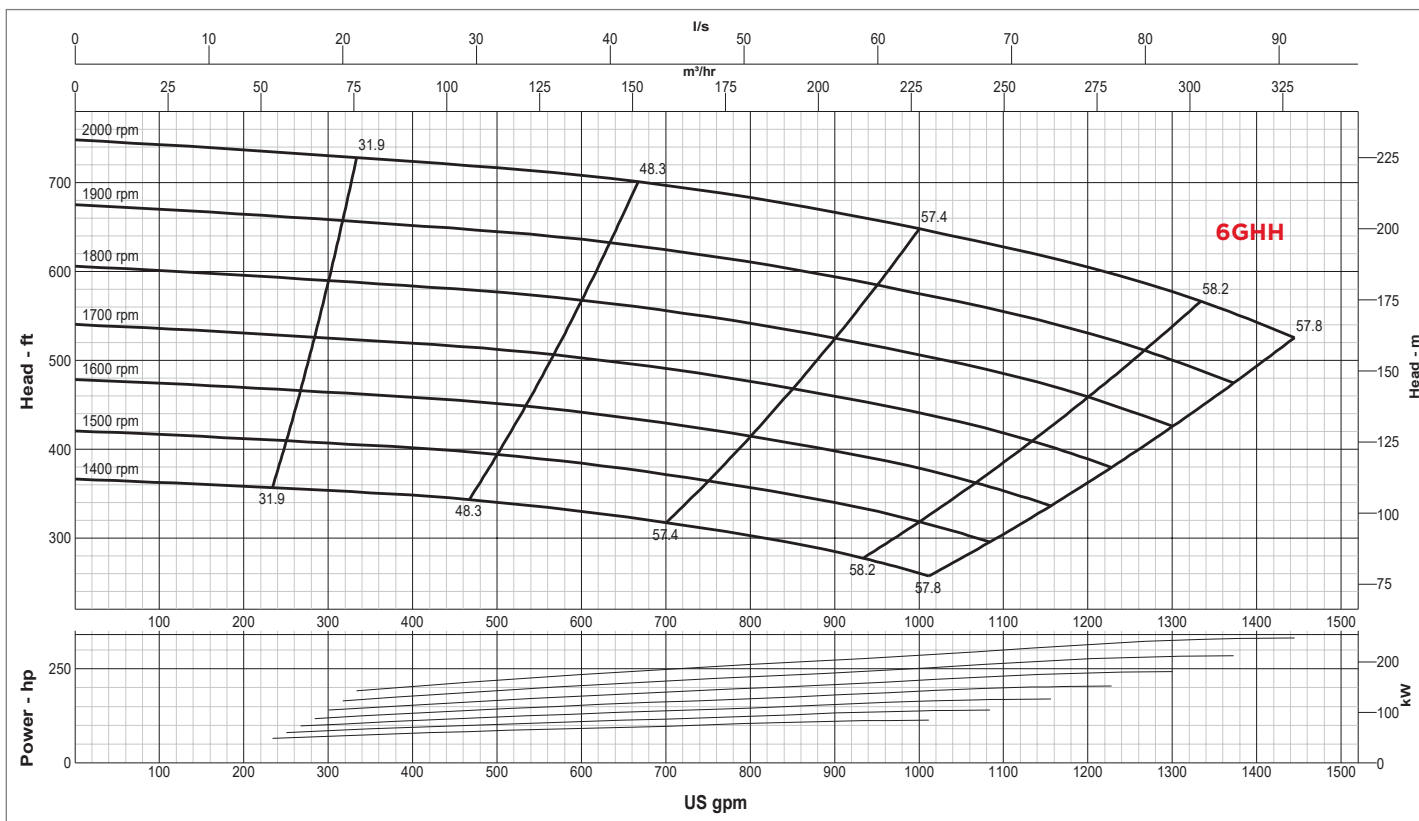


SPECIFICATIONS

Connections	6" x 4" (150 mm x 100 mm) ANSI Flanges
Max Pump Speed	2,000 rpm
Max Flow	1,440 gpm (327 m ³ /h)
Max Head	748' (228 m)
Max Static Priming Lift	28' (8.5 m)
Temperature Limit	160°F (70°C)
Solids Handling Capability	0.875" (22.2 mm)
Max Casing Pressure	300 psig (2,068 kPa)
Fuel Cell	151 gallons (572 liters)
Dry Weight	8,700 lbs

PUMP MATERIALS

Casing	Cast Steel (CD4MCu Option)
Impeller	CD4MCu
Bearing Housing	Cast Iron
Bearing Lubrication	Grease
Shaft	Stainless Steel
Shaft Sleeves	FNC Treated Steel
Seal	Silicon Carbide on Silicon Carbide
Chassis/Fuel Cell	Steel
Non-Return Valve	Steel



GLOBAL PUMP
10162 East Coldwater Road, Davison, MI 48423
Tel - 810.653.4828 Fax - 810.658.0632
1.866.360.PUMP
www.globalpump.com