

INCH
DIMENSIONS IN
[] ARE METRIC

3RD ANGLE PROJECTION

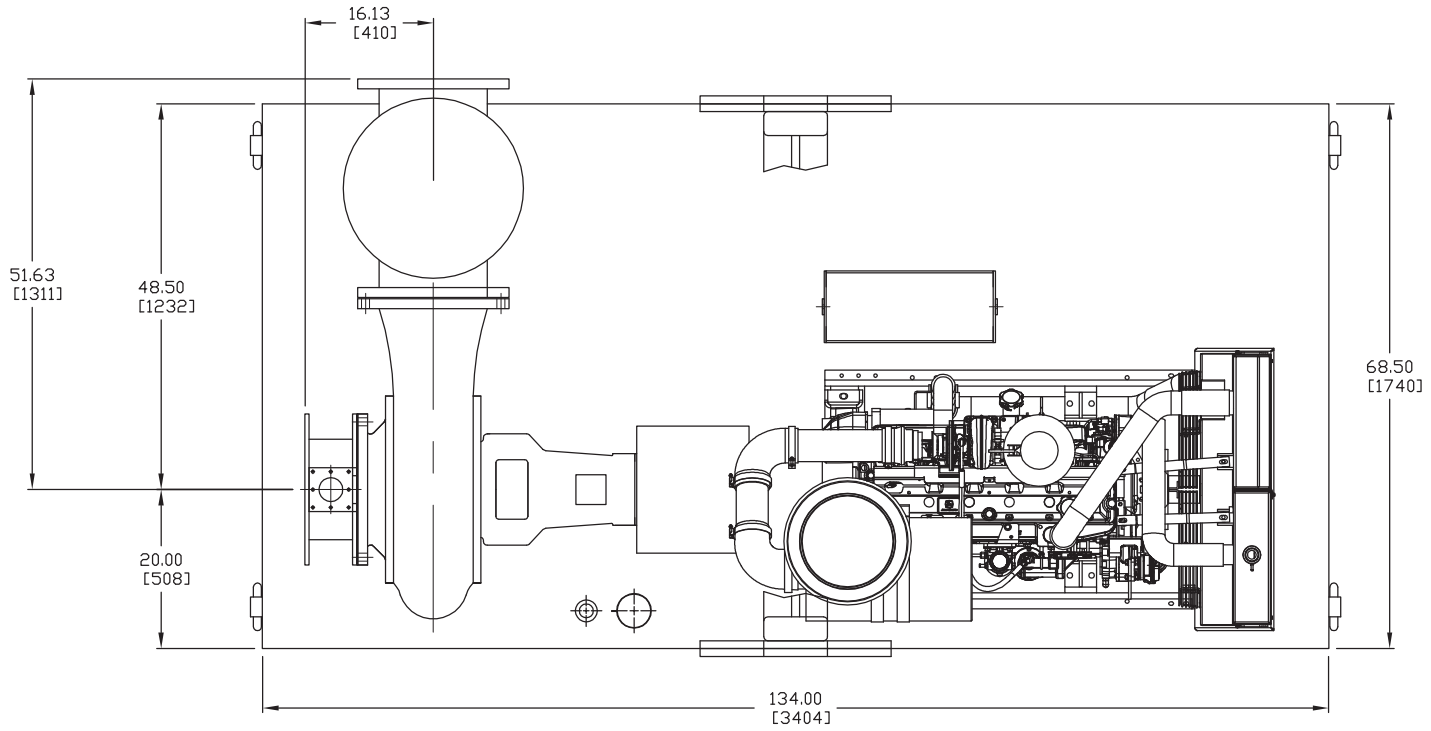
REMOVE ALL
BURRS, BREAK
SHARP EDGES, AND
INSPECT. CHAMFER
ALL TAPPED HOLES.

GLOBAL PUMP
A MERSINO COMPANY Davison MI 48423

This document, including the conceptual content and specifications, is the intellectual property of Mersino Dewatering, Inc. It is not to be used for the purpose other than that for which it was provided by Mersino to the recipient, nor copied, loaned, or otherwise communication to any third party, in whole or part, without the written consent of Mersino Dewatering, Inc.

DO NOT
SCALE

TITLE:		12GSTAPIJT3S10P GENERAL DIMENSIONS			DWG NO.:	
SHT 1	TOTAL SHTS 2	DATE: 04/23/16	DWG. BY: TL	AUTHORIZED BY: -	MANUF. REP.:	-



INCH
DIMENSIONS IN
[] ARE METRIC

3RD ANGLE PROJECTION

REMOVE ALL
BURRS, BREAK
SHARP EDGES, AND
INSPECT. CHAMFER
ALL TAPPED HOLES.

**DO NOT
SCALE**

GLOBAL PUMP
A MERSINO COMPANY Davison MI 48423

This document, including the conceptual content and specifications, is the intellectual property of Mersino Dewatering, Inc. It is not to be used for the purpose other than that for which it was provided by Mersino to the recipient, nor copied, loaned, or otherwise communication to any third party, in whole or part, without the written consent of Mersino Dewatering, Inc.

TITLE:		12GSTAPIJT3S10P GENERAL DIMENSIONS			DWG NO.:	
SHT	TOTAL SHTS	DATE:	DWG. BY:	AUTHORIZED BY:	MANUF. REP.:	
2	2	04/23/16	TL	-	-	