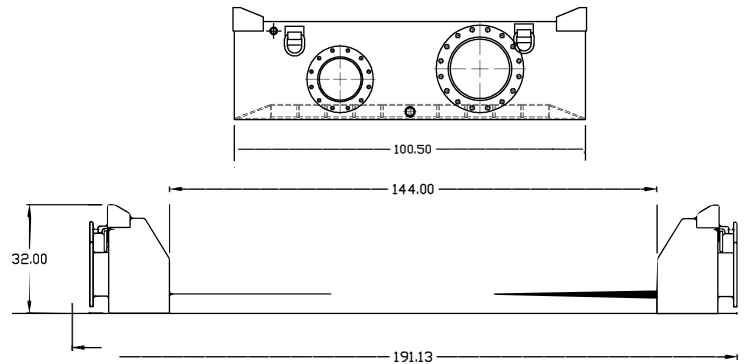
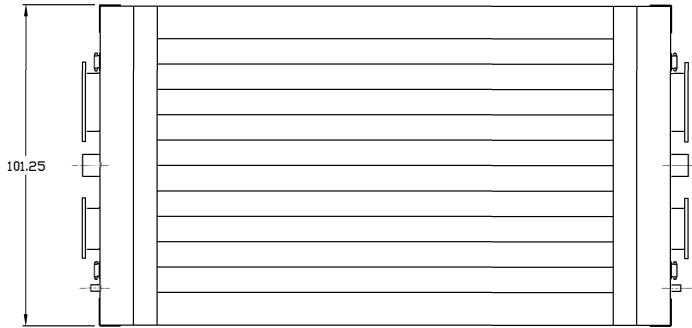


18" ROAD RAMP

Global Pump® road ramps are the solution when a temporary crossing is required over a pipeline.

Whether commercial, industrial or residential, Global Pump Road Ramps offer low traffic areas access across 4-inch to 18-inch pipelines.

- Low profile for comfortable crossing
- Solids handling capability
- Steel construction
- 18" (450 mm) ANSI Flanges
- Designed to stack for simple storage



FEATURES

- 18" Road Crossing with 12' wide vehicle
- Two 1/2" (12.7 mm) Pressure Gauge Ports
- Four weld-on D-Rings
- Two 2" (76.2 mm) clean-out ports
- Four 3/4" (19 mm) safety flag mounting posts
- White & Red D.O.T. reflective safety tape
- Four nail/tie downs tabs with 3/4" (19 mm) hole
- Compliance with Federal Bridge Law (20,000 lbs./ Single Axle)

ROAD CROSSING SPECIFICATIONS:

- Overall footprint: 100.5" (2553) wide
- 12' (366 m) vehicle net width (Optional 20' version)
- Two 18" Inlet/Outlet 450# Flanges
- Four 5/8 (15.9 mm) inch D-Rings
- Wide angled entrance/exit ramps
- Rectangular tubing dimensions: 3" x 6" (76 x 152 mm)
- Requires full ground contact in tire track zone